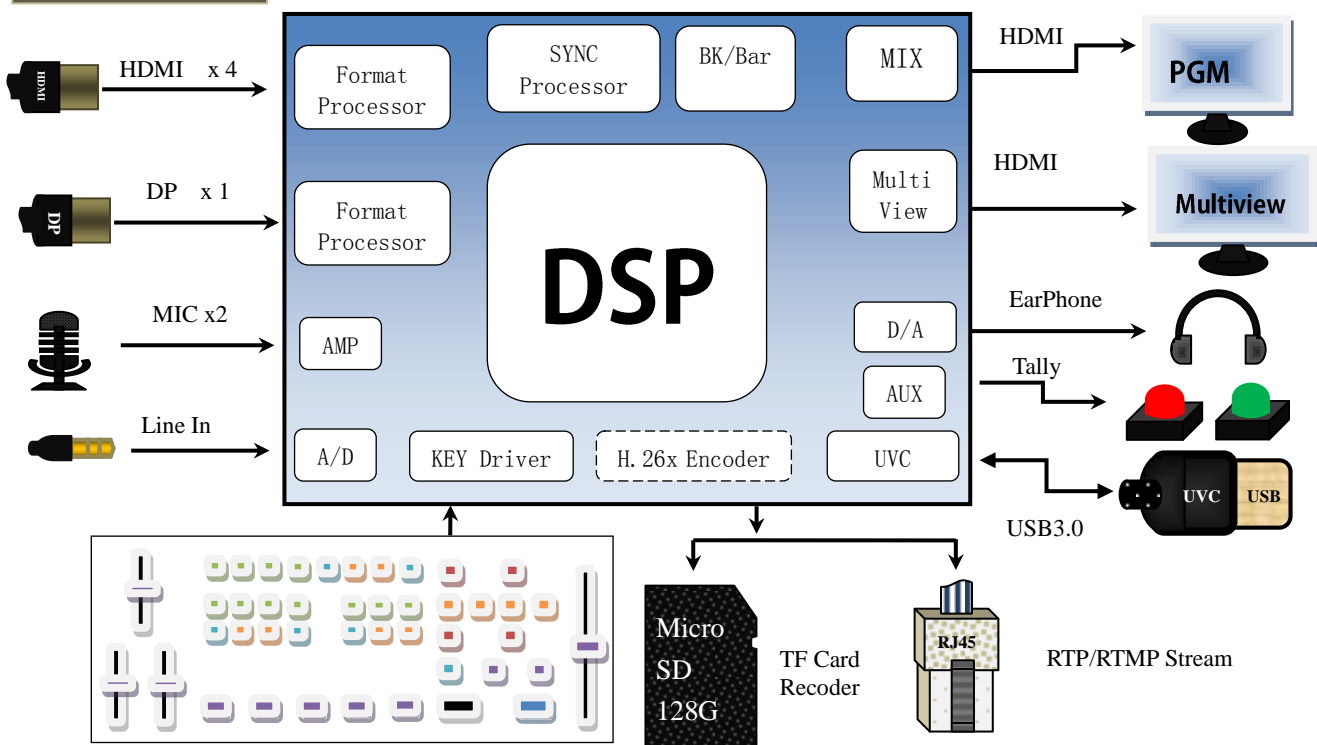


HDS7305(2023 Version)--- 4xHDMI+1xDP

Version:2.0



Functional Diagram



Introduction

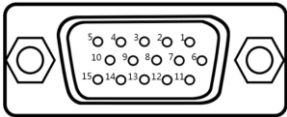
The HDS7305, a dedicated video switcher for Broadcast & TV, and studio, adopts a portable integrated design, a metal shell, small size and light weight, which can be applied to the video special effect switching requirements of small scenes. The device integrates multiview processor, special effect generator, audio processor, control keyboard and other common switcher components.

HDS7305 complies with SMPTE standard, supports 4-CH HDMI+1-CH DP signal input, a total of 5-CH video signal. Simultaneous output of multiview and PGM signals. HDS7305 supports HDMI embedded audio + external analog audio. After mixed processing, it can be embedded into the output HDMI signal or output from the analog port. The resolution of all input signals is automatically adapted, and the resolution of output signals can be selected according to requirements, which is quite flexible. For video switching requirements such as broadcast TV, program production, live interview and speech production, outdoor sports events, etc., the functions of HDS7305 can fully meet the needs.

Features

- ◆ Portable integrated design
- ◆ 4-CH HDMI+1-CH DP input
- ◆ TF card to record PGM screen
- ◆ Network RTMP streaming
- ◆ USB3.0 streaming
- ◆ DCB2 control + video expansion
- ◆ GPI control, support foot pedal, control handle, etc.
- ◆ MIC and LINE audio input
- ◆ Analog LINE audio output
- ◆ Audio follow, mix function
- ◆ One-key screen freeze (STILL) function
- ◆ PVW (multiview) and PGM (live)
- ◆ Special effects transition such as MIX/FADE
- ◆ CUT hard cut and AUTO special effect transition
- ◆ Support tally/network remote control
- ◆ Built-in chassis temperature detection and fan intelligent control system
- ◆ Support software online upgrade

TALLY_GPI Definition:



TALLY /GPI feature list

PIN	Function(TALLY)	PIN	Function(GPI)
11	PGM-IN1	1	GPI-IN1
12	PGM-IN2	2	GPI-IN2
13	PGM-IN3	3	GPI-IN3
14	PGM-IN4	4	GPI-IN4
6	PVW-IN1	10	GPI-IN5
7	PVW-IN2	15	GPI-IN6
8	PVW-IN3	5	GND
9	PVW-IN4		

GPI Optional feature list

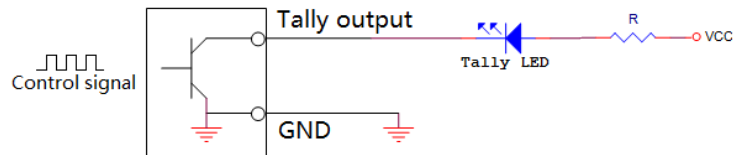
PIN	Function	Description
1	PGM1	Simulate PGM1 button messages
2	PGM2	Simulate PGM2 button messages
3	PGM3	Simulate PGM3 button messages
4	PGM4	Simulate PGM4 button messages
5	PGM_BAR	Simulate PGM_BAR button messages
6	CUT	Simulate CUT button messages
7	AUTO	Simulate AUTO button messages
8	MUTE	Simulate MUTE button messages
9	FTB	Simulate FTB button messages
10	STILL	Simulate STILL button messages

Interfaces



No.	Definition	Description
1	Stream out	RTMP network port push stream
2	USB	USB3.0, UVC stream
3	SD card	SD card
4	LINE IN/OUT	3.5mm Stereo audio in/out
5	MIC IN	2-ch microphone input
6	TALLY/GPI	wireless intercom system (DB-15) /GPI control
7	DCB2	DCB 2control (device cascade/wireless tally/external keyboard) + video expansion
8	MULTIVIEW	HDMI Multiview output
9	HDMI OUT	PGM live output
10	HDMI IN/DP IN	4-CH HDMI+1-CH DP input. The first input can be switched to DP input
11	DC 12V	power input
12	Power switch	Power switch button

TALLY connection diagram:



Note: Tally LED: For an external display device

Tally output : Low level is active (Tally LED is on) high level is invalid (Tally out is off)

GPI Control Schematic:



Foot Switch

DJ Button

Parameters

Product Name	4*HDMI+1*DP Switcher	
Model	HDS7305-2023 Version	
Video Signal Input	Input signal	HDMI/DP video signal
	Connector	Standard
	Reflection loss	>15dB 5MHz~3GHz
	Signal amplitude	800mV ±10% (HDMI)
	Impedance	100Ω (HDMI)
	Balance	Adaptive
	DVD input HDMI support	480i/576i,480p/576p,720p,1080i,1080p,
	Computer HDMI input support	1920x1080,1680x1050,1600x900,1440x1050,1366x768,1360x768,1360x768,1280x1024,1280x960,1280x800,1280x768,1280x720,1280x600,1152x864,1024x768,800x600,
Video Signal Output	output signal	HDMI video output
	Resolution	1080P60
	Connector	Standard
	Return Loss	>15dB 5MHz~3GHz
	Signal amplitude	800mV ±10% (HDMI)
	impedance	100Ω (HDMI)
	DC offset	0V ±0.5V
	Clock recovery	Support
Control Parameter	Serial control	RS232 (reserved)
	Control	9600 baud, 8 bits, 1 stop bit, no parity
	Connection	15-pin D-port, 2-RX, 3-TX, 5-GND
	Network control	RJ45,100M
General Parameter	power supply	12V/DC
	Power rate	<25W
	Size	280*110*36mm
	Weight	1Kg
	Control Panel	Support on-site production, integration of a variety of buttons.
	Operating temperature	0℃~50℃, No condensation
	Storage temperature	-20℃~75℃
	Working humidity	20%~70%RH
	Storage humidity	0%~90%RH, No condensation

HDS7305 (2023 Version) Application

