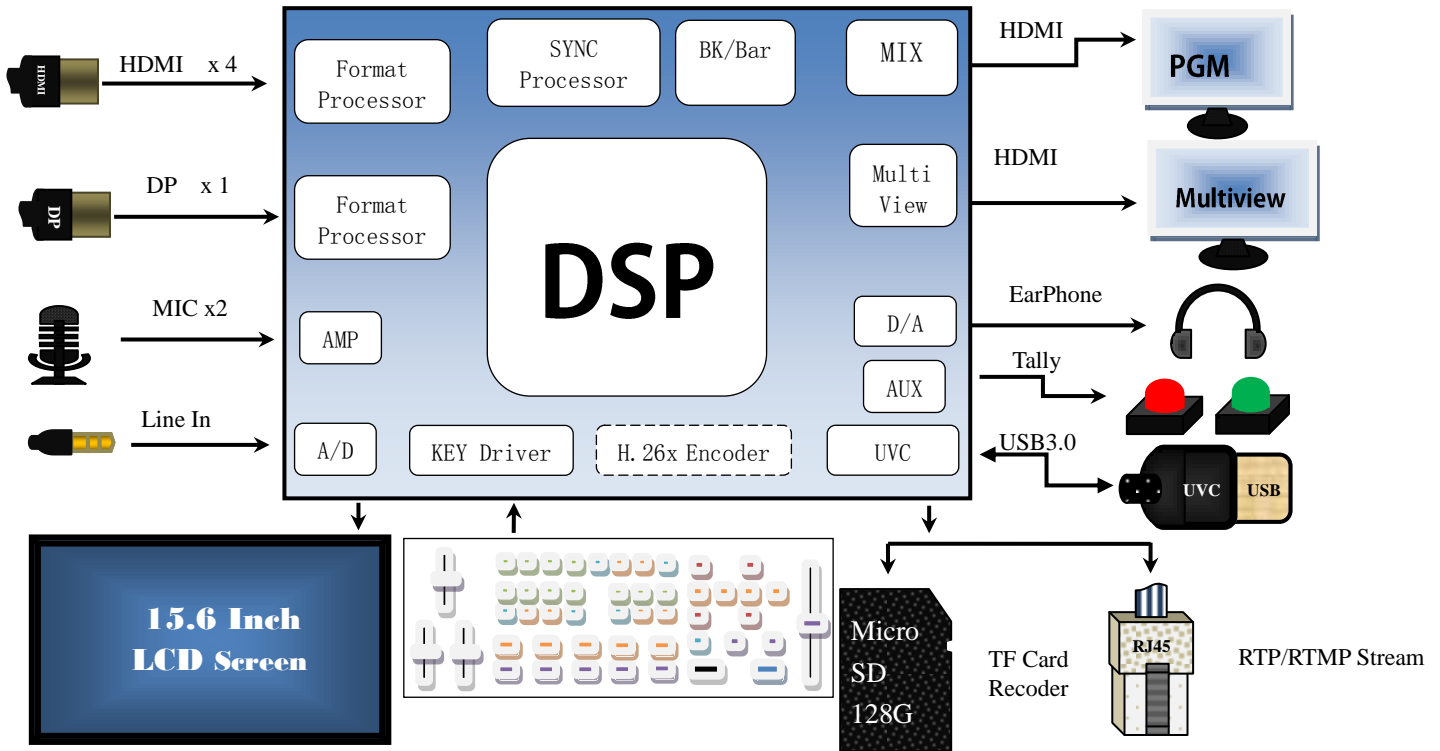


HDS9335(4HDMI/1DP Video Switcher)

Version: 1.1



Functional Diagram



Introduction

The DeviceWell HD Video Switcher HDS9335 adopts a portable integrated design and comes with an 15.6-inch HD monitor screen, which can directly multiview output. Standard size: 362mm*215mm*42.6mm suitable for video effects switching needs in small outdoor scenes. The equipment integrates common components of switcher such as multiview processor, special effect generator, audio processor, control keyboard and so on.

Switcher supports 4 HDMI + 1 DP signal input, a total of 5 video signals. In addition to the built-in liquid crystal display preview screen, external preview signals can be output synchronously, which is convenient for users to expand. Switcher supports HDMI embedded audio + external analog audio. After mixing, it can be embedded in the output HDMI signal or output from the analog port. The resolution of all input signals is automatically adapted, and the output signal resolution can be selected as required, which is quite flexible. For broadcast and television, program production, on-site interview and speech production, outdoor sports events, school courseware production and other video switching needs, the functions of Switcher can fully meet.

Features

- ◆ Portable integrated design
- ◆ Built-in 15.6-inch screen monitoring
- ◆ Support 4K signal input
- ◆ Support 4 HDMI + 1 DP input
- ◆ Support USB3.0 UVC OUT
- ◆ Support TF card to record PGM screen
- ◆ Support network RTMP streaming
- ◆ Support DCB2 control + video expansion
- ◆ GPI control, support pedals, control handles, etc.
- ◆ Support MIC and LINE audio input
- ◆ Support analog LINE audio output
- ◆ Support audio follow and mixing functions
- ◆ Support one-key screen freeze function
- ◆ PVW (Multiview) and PGM (Live broadcast)
- ◆ MIX / FADE and other special effects switching
- ◆ CUT and AUTO special effects switching
- ◆ Support Tally/network remote control
- ◆ Built-in chassis temperature detection and fan intelligent control system
- ◆ Support software online upgrade
- ◆ Support image and text overlay, logo overlay function
- ◆ 1 group of KEY, support Luma key, chroma key, key image and superimposed character function

Interfaces

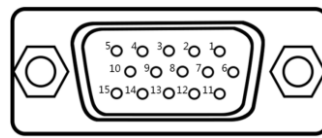


No.	Definition	Description
1	RJ45	RTMP Network stream
2	USB 3.0	USB3.0 stream
3	TF Card slot	TF card recording
4	LINE IN/OUT	Stereo audio input/output
5	MIC IN	2 MIC inputs
6	TALLY /GPI	Direct TALLY light system (DB-15)/GPI Control
7	DCB2	Cascade equipment, supporting TALLY lamp module
8	MULTIVIEW	Multiview output
9	HD OUT	PGM Live output
10	HDMI IN/DP IN	4 HDMI + 1 DP inputs, The first input can be switched
11	DC 12V	DC 12V Power Input

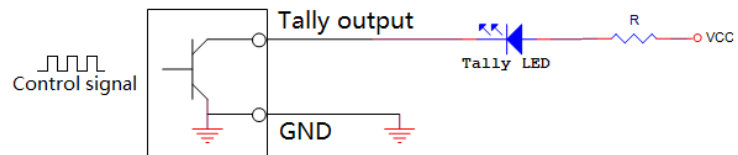
TALLY_GPI Interface definition:

TALLY/GPI Function Table

PIN	(Tally) Function	PIN	(GPI) Function
11	PGM-IN1	1	GPI-IN1
12	PGM-IN2	2	GPI-IN2
13	PGM-IN3	3	GPI-IN3
14	PGM-IN4	4	GPI-IN4
6	PVW-IN1	10	GPI-IN5
7	PVW-IN2	15	GPI-IN6
8	PVW-IN3	5	GND
9	PVW-IN4		



TALLY connection diagram:



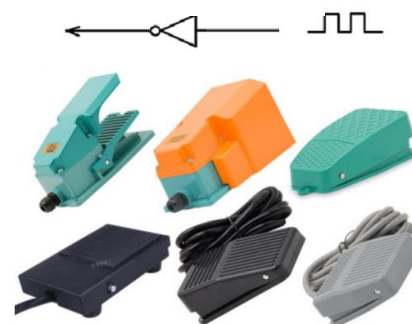
Note: Tally LED: For external display devices

Tally output : Low level is valid (Tally LED is on) High level is invalid (Tally out is off)

GPI Optional function table

GPI-Inx Optional Features		Description
1	PGM1	Simulate PGM1 message
2	PGM2	Simulate PGM2 message
3	PGM3	Simulate PGM3 message
4	PGM4	Simulate PGM4 message
5	PGM_BAR	Simulate PGM_BAR message
6	CUT	Simulate CUT message
7	AUTO	Simulate AUTO message
8	MUTE	Simulate MUTE message
9	FTB	Simulate FTB message
10	STILL	Simulate STILL message

GPI Control Schematic:



Foot Pedal



DJ Button

Parameters

Name	4-CH HDMI+1DP Video Switcher	
Model	HDS9335	
Video Signal Input	Input signal	HDMI1.4/DP1.2 video signal
	Connector	Standard
	Signal amplitude	800mV ±10%(HDMI)
	Impedance	100Ω (HDMI)
	Balanced	Adaptive
	DVD input HDMI support	480i/576i,480p/576p,720p,1080i,1080p
	Computer HDMI input support	1920x1080,1680x1050,1600x900,1440x1050,1366x768,1360x768,1280x1024,1280x960,1280x800,1280x768,1280x720,1280x600,1152x864,1024x768,800x600
Video Signal Output	Output signal	HDMI video signal
	Output resolution	1080P60
	Connector	Standard
	Signal amplitude	800mV ±10%(HDMI)
	Impedance	100Ω (HDMI)
	Clock recovery	Support
Control Parameters	Remote control	GPI
	Connection port	RJ45,100M
	Network control	RJ45
General Parameters	Power supply	12V/DC
	Power	25W
	Dimensions	362mm*215mm*42.6mm
	Weight	2.5Kg
	Control panel	Supports live production and integrates multiple buttons
	Operating temperature	0℃~50℃ No condensation
	Storage temperature	-20℃~75℃
	Operating humidity	20%~70%RH
Storage humidity	0%~90%RH, No condensation	

Application

